



# Electric Winch

## Model: CP-250

PN:151250 240V50Hz

### Introduction

#### ► Feature

- Lifting capacity: 250 kg at wire rope top layer
- Lifting height: 29 m
- Lifting speed: 10-15 m/min at 50Hz
- Brake: Electromagnetic spring-applied failsafe brake
- Control: Pendant switch powers the winch

#### ► Unpacking

- Winch assembly 1pc
- Wire rope 6 mm x 30 m 1pc
- Weight hook CHW-0031 1pc
- Low voltage control ass'y LV-320 1pc
- Pendant switch PB-306 w/cord 1.25 mm<sup>2</sup> x 3C x 3 m 1pc

#### ► Read this manual carefully

You should carefully read and understand this manual before operating it. Careless winch operation may result in personal injury hazards or property damage.

#### ► Information requesting or parts ordering

Please specify the followings information:

- Winch PN
- Serial number
- Part description
- Replacement part number
- Quantity for each part

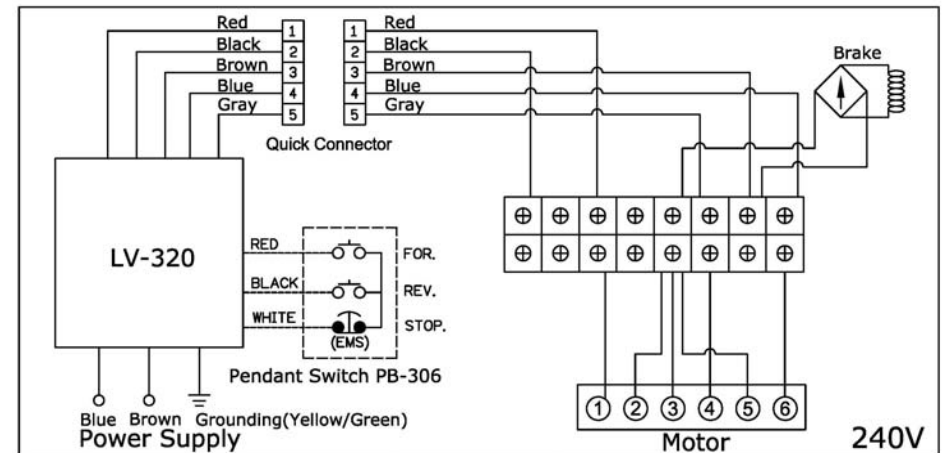
### Installation

Before using the winch, make sure all electrical components have no corrosion or damaged; the environment should be clear and dry.

#### ► Performance

Winch Model		CP-250											
Motor		kw x p		0.75 x 4									
Recommend Wire Rope		Size(mm)		6									
		Breaking (kg)		2,010									
1 <sup>st</sup> Layer	Rated Load (kg)	50Hz	370	2 <sup>nd</sup> Layer	Rated Load (kg)	50Hz	330	3 <sup>rd</sup> Layer	Rated Load (kg)	50Hz	298		
	Speed (m/min)	50Hz	10		Speed (m/min)	50Hz	11.3		Speed (m/min)	50Hz	12.5		
	Rope-Winding Cumulating Sum (m)		5.4		Rope-Winding Cumulating Sum (m)		11.5		Rope-Winding Cumulating Sum (m)		18.3		
4 <sup>th</sup> Layer	Rated Load (kg)	50Hz	272	5 <sup>th</sup> Layer	Rated Load (kg)	50Hz	250						
	Speed (m/min)	50Hz	13.8		Speed (m/min)	50Hz	15.0						
	Rope-Winding Cumulating Sum (m)		25.7		Rope-Winding Cumulating Sum (m)		30						

#### ► Wiring Diagram



## Warning

- The winch is not intended to be used in any manner for the movement or lifting of personnel.
- The lifting capacity shown is based on the top layer of rope on the drum.
- The rope winding on the drum shall remain 5 wraps from the drum.

## Parts List

Item No.	Description	Part No.	Qty
1	Induction motor kit	880406	1
2	Low voltage control ass'y LV-320	882108	1
2-1	Remote control, PB-306	881048	1
3	Bridge rectifier	880368	1
4	Support bracket	880369	2
5	Drum kit	880370	1
6-1	Tie bar	881862	1
6-2	Tie bar kit	880371	3
7	2 <sup>nd</sup> shaft kit	880372	1
8	Gear box kit	880373	1
9	1 <sup>st</sup> stage carrier	880374	1
10	1 <sup>st</sup> shaft kit	880375	1
11	Conductor kit	880376	1
12	Brake coil 110V	880377	1
13	Conductor plate A	880403	2
14	Brake disc	880379	2
15	Hex socket	880380	1
16	Conductor plate B kit	880381	1
17	Brake cover	880382	1
18	Wire rope	880383	1
19	Weight hook CHW-0031	880384	1

## Winch Assembly

