

- 1 Dual 7.0 hp motors w/thermal protection switch provide ultimate power and 50 mpm speed
- 2 Ratchet brake outside the drum expedites heat dispersion and is ideal for synthetic rope
- 3 Personalized laser engraved driver nameplate



- 4 Rugged 3 stage gear train and upright housing
- 5 Steel cover protects the motors and contactors from damage
- 6 Long drum (63.5 mm x 290 mm) accommodates 46 meters of 11 mm synthetic rope
- 7 Dual sealed contactors w/silver-alloy contact pads and thick copper buss can handle high amps at high duty cycles



TWICE THE POWER, TWICE THE SPEED



- 8 Tough aluminum alloy die cast housing withstands a minimum force twice the rated line pull
- 9 Polished aluminum hawse fairlead designed to guide the synthetic rope out from and onto the winch drum
- 10 Air free-spool control for rapid synthetic rope payout (operation pressure: 60~120 psi/4.1~8.3 bar)

- 11 Laser engraved Blazer badge



BLAZER

3.6 TONNES CHAMPIONSHIP WINCH



COMEUP WINCH

COMEUP INDUSTRIES INC.

No.112, Nanyang St., Xizhi Dist., New Taipei City
22152, Taiwan
Tel: +886-2-26947011
Fax: +886-2-26947053
E-mail: info@comeup.com.tw
<http://www.comeupwinch-blazer.com>
<http://www.facebook.com/COMEUP>



SPEED BEYOND THE LIMIT





Part Number: **PN 855800 (12V)**

SPECIFICATIONS

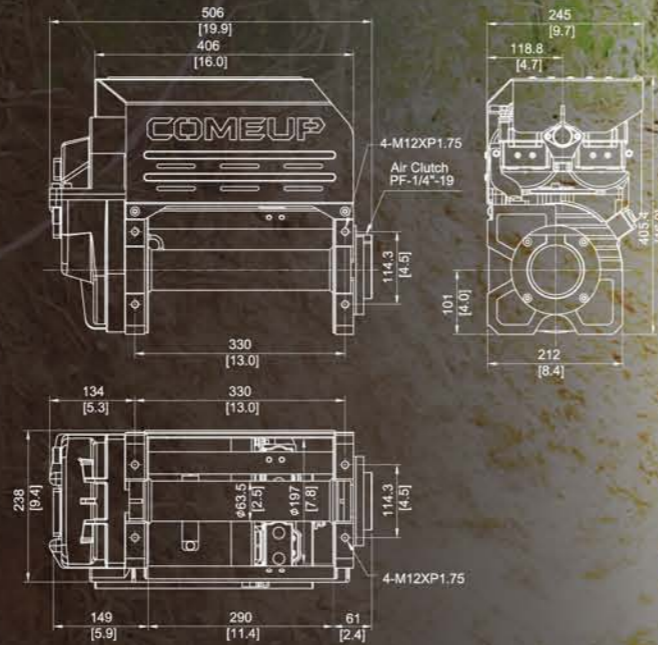
- **Rated line pull** : 3,630 kg (8,000 lb) single line
- **Line speed (1st layer)** : 50 mpm / 164 fpm 96 A at no load
- **Motor** : 5,250 w / 7.0 hp 12V series wound x 2 pcs
- **Gear ratio** : 3-stage spur gear train 33.5:1
- **Clutch (freespooling)** : Air free-spooling
- **Brake (outside the drum)** : Ratchet brake hold full load without slippage
- **Winch construction** : Aluminum die cast housings with steel drum
- **Drum size** : 63.5 x 197 x 290 mm (2.5" x 7.8" x 11.4")
- **Control** : Waterproof remote with thermometric indicator LED w/5 m (17') cord
- **Recommended rope** : Synthetic rope
- **Rope size** : 11 mm x 46 m (7/16" x 151')
- **Mounting bolts pattern** : 330 x 114.3 mm (13" x 4.5")
- **Winch weight** : 58 kg / 141 lb
- **Gross weight** : 78 kg / 172 lb
- **Box dimension** : 670 x 390 x 620 mm (26.4" x 15" x 24.4")

PERFORMANCE DATA

Line Pull and Rope Capacity

Layer of Rope	Pull by Layer, kg / lb	Total Rope on the Drum, m / ft
1 st	3,630 / 8,000	5.7 / 18.7
2 nd	2,802 / 6,177	13.2 / 43.3
3 rd	2,282 / 5,031	22.3 / 73.2
4 th	1,925 / 4,244	33.2 / 108.9
5 th	1,664 / 3,669	46 / 151

DIMENSION mm/in



STANDARD ACCESSORIES

- Remote control w/5 m (17') cord
- Air free-spool clutch fitting
- Hawse fairlead
- Dual sealed contactors
- 1.8 m (6') 2/0 gauge battery lead

OPTION ACCESSORIES

- Synthetic rope 11 mm x 46 m
- Sling hook

Line Speed and Amp. Draw (1st layer of synthetic rope on the drum)

Line Pull kg / lb	Line Speed mpm / fpm	Amp. Draw, A 12V
No Load	50 / 164	96
910 / 2,000	13.9 / 45.7	395
1,810 / 4,000	7.0 / 22.8	572
2,720 / 6,000	2 / 6.4	728
3,630 / 8,000	0.7 / 2.3	939



SPEED BEYOND THE LIMIT

With the superior design of dual motors controlled by dual contactors, the Blazer Winch achieves the fastest retrieval speed of 50 meters per minute in the Worlds' Toughest Off-Road Competition, the Rain Forest Challenge. The air freespool control provides the benefit of driver operation from inside the cab while the co-driver quickly secures the rope to the anchor point. These innovations demonstrate how well the ComeUp Winch Team understands and responds the needs of the off-road market. By listening to our customers and providing unparalleled service, ComeUp Winch helps you speed ahead in any ultimate competition.

